

Frigidaire

Dishcare



Frigidaire

Smart. Quiet. Efficient.

The Frigidaire® Precision Direct™ Wash System uses state-of-the-art technology to deliver a highly efficient, extremely quiet and remarkably clever way of washing dishes.

You won't be surprised that our SpeedClean™ Cycle provides a 30% increase in wash pressure to power dishes clean in half the time.

Or that our AquaSurge™ Technology allows you to adjust washing pressure based on your needs, from the toughest baked-on foods to the most delicate china and stemware.

You can count on Precision Select™ controls to add functionality and simplify operation, all with the touch of a button.

And, you'll appreciate our GraniteGrey™ interior for its visual appeal and its stain resistance over solid color interiors.

You expect all this from Frigidaire®... and we deliver.



Dishwasher Features



Control Panel

Fully integrated controls provide a sleek-looking exterior and allow you to select the exact wash pressure, temperature and drying parameters for each load.



iDry™ Intelligent SaharaDry™ System

More than 70% drier than conventional drying systems.



Half Load Wash

When you want to get the glasses done but don't have a full load, the glasses cycle lets you wash in the upper rack without wasting water or energy. Can also be used for mixed loads.

iWash™

Intelligent Wash System

Cleaner dishes, less water and energy.

iWash™ Plus

Intelligent Wash System

Precision Direct™ Wash System provides outstanding cleaning performance.

iWash™ Ultra

Intelligent Wash System

AquaSurge™ Technology optimizes wash pressure for every dish load.



AquaSurge™ with SpeedClean™

AquaSurge™ Technology allows you to adjust wash pressure for a variety of dishwashing needs while our SpeedClean™ cycle automatically increases wash pressure by 30% to power dishes clean in half the time.



Adjustable Rack

An adjustable top rack raises or lowers with ease to provide additional room for stemware above or more space for large pots and pans below.



China/Crystal Cycle

For a truly gentle cleaning action, the China/Crystal Cycle reduces wash pressure by 30% for a thorough cleaning of your most delicate dishware.



Versa-Tray™

For knives, spatulas, serving spoons and even stemware, the Versa-Tray™, with its special slots, is designed to safely and securely hold items that don't fit in standard racks.

Frigidaire



**BIG Tub™ Design
Holds 14 Place Settings!**

Professional Series® PLD4555RF C

- Fully-Integrated Design
- 12 Easy-Clean Touch Pads
- Pro-Style Towel Bar
- GraniteGrey™ Interior
- iDry™ Intelligent SaharaDry™ System
- 5-Level Precision Direct™ Wash System with AquaSurge™ and Variable Washing Pressure
- SpeedClean™ Wash and Dry in 50 Minutes
- Smart Soil Sensor™, No Pre-Rinse Required
- Self-Cleaning, Stainless Steel Filter
- Stainless Steel Food Disposer
- Energy-Saving, 1/2 Load Wash Option (Upper Rack)
- NSF® Certified Sanitize Rinse Option
- Versa-Tray™
- Variable (1-24 hour) Delay Start
- Adjustable Upper Rack
- Maximum Capacity Upper and Lower Racks
- High-Side Lower Rack with Folding Utility Shelf
- Pearl Grey Nylon-Coated TufRacks™
- Versatile, Folding Bowl Tines
- Folding Lower Rack Tines
- 3-Piece Silverware Basket with 3 Small Item Lids
- SilentDesign™ Sound Insulation Package



Stain-Resistant
GraniteGrey™ Interior





**BIG Tub™ Design
Holds 14 Place Settings!**

Professional Series® PLD4375RF C

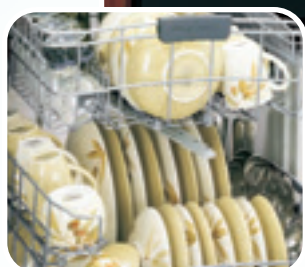
- Fully-Integrated Design
- 12 Easy-Clean Touch Pads
- Pro-Style Towel Bar
- GraniteGrey™ Interior
- Enhanced Power Drying System
- 5-Level Precision Direct™ Wash System with AquaSurge™ and Variable Washing Pressure
- SpeedClean™ Wash and Dry in 50 Minutes
- Smart Soil Sensor™, No Pre-Rinse Required
- Self-Cleaning, Stainless Steel Filter
- Stainless Steel Food Disposer
- Energy-Saving, 1/2 Load Wash Option (Upper Rack)
- NSF® Certified Sanitize Rinse Option
- Variable (1-24 hour) Delay Start
- Adjustable Upper Rack
- Pearl Grey Nylon-Coated TufRacks™
- 4 Folding Cup Shelf/Stemware Holders
- 3-Piece Silverware Basket with 3 Small Item Lids
- Versatile, Folding Bowl Tines
- Folding Lower Rack Tines
- UltraQuiet™ Plus Sound Insulation Package



Stain-Resistant
GraniteGrey™ Interior



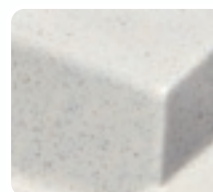
Frigidaire



**BIG Tub™ Design
Holds 14 Place Settings!**

Gallery Series® GLD4355RF S/B

- Fully-Integrated Design
- 12 Easy-Clean Touch Pads
- Pro-Style Towel Bar
- GraniteGrey™ Interior
- Enhanced Power Drying System
- 5-Level Precision Direct™ Wash System with AquaSurge™ and Variable Washing Pressure
- SpeedClean™ Wash and Dry in 50 Minutes
- Smart Soil Sensor™, No Pre-Rinse Required
- Self-Cleaning, Stainless Steel Filter
- Stainless Steel Food Disposer
- Energy-Saving, 1/2 Load Wash Option (Upper Rack)
- NSF® Certified Sanitize Rinse Option
- Variable (1-24 hour) Delay Start
- Adjustable Upper Rack
- Pearl Grey Nylon-Coated TufRacks™
- 4 Folding Cup Shelf/Stemware Holders
- 3-Piece Silverware Basket with 3 Small Item Lids
- Versatile, Folding Bowl Tines
- 2 Rows of Folding Lower Rack Tines
- UltraQuiet™ Plus Sound Insulation Package



Stain-Resistant
GraniteGrey™ Interior



Dishwasher Features



SpeedClean™ Cycle
 Compared to normal wash cycles, SpeedClean™ increases wash pressure by 30%, powering dishes clean in half the time.



iSense™ Intelligent Sensing System
 Senses soil and residue and adjusts the cycle to ensure clean dishes.



Half Load Wash
 When you want to get the glasses done but don't have a full load, the Half Load cycle lets you wash in the upper rack without wasting water or energy. Can also be used for mixed loads.



Versa-Tray™
 For knives, spatulas, serving spoons and even stemware, the Versa-Tray™, with its special slots, is designed to safely and securely hold items that don't fit in standard racks.



China/Crystal Cycle
 For a truly gentle cleaning action, the China/Crystal Cycle reduces wash pressure for a thorough cleaning of your most delicate stemware.



Precision Direct™ Wash System
 By alternating washing action between the upper and lower racks, you use less water, consume less energy and get dishes that are ultraclean.

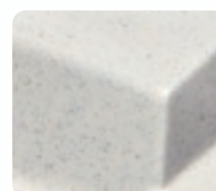
Frigidaire



BIG Tub™ Design
Holds 14 Place Settings!

Professional Series® PLD2855RF C

- 12 Easy-Clean Touch Pads
- GraniteGrey™ Interior
- Pro-Style Towel Bar
- 5-Level Precision Direct™ Wash System
- Active Vent Drying System
- Smart Soil Sensor™, No Pre-Rinse Required
- Self-Cleaning, Stainless Steel Filter
- Stainless Steel Food Disposer
- Energy-Saving, 1/2 Load Wash Option (Either Rack)
- NSF® Certified Sanitize Rinse Option
- Variable (1-24 hour) Delay Start
- High-Temp Wash Option
- Adjustable Upper Rack
- Pearl Grey Nylon-Coated TufRacks™
- 4 Folding Cup Shelf/Stemware Holders
- 3-Piece Silverware Basket with 3 Small Item Lids
- Versatile, Folding Bowl Tines
- 2 Rows of Folding Lower Rack Tines
- Utility Tray
- UltraQuiet™ Plus Sound Insulation Package



Stain-Resistant
GraniteGrey™ Interior



Also Available:

PLD2850RD S/B/C

- Same features as PLD2855RF C except has white interior
- Available in Color-Coordinated Black, White or Stainless Steel



**BIG Tub™ Design
Holds 14 Place Settings!**

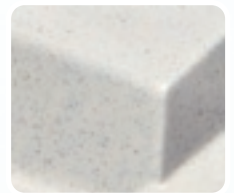
Gallery Series® GLD2445RF C

- 10 Easy-Clean Touch Pads
- GraniteGrey™ Interior
- 5-Level Precision Direct™ Wash System
- Active Vent Drying System
- Smart Soil Sensor™, No Pre-Rinse Required
- Self-Cleaning, Stainless Steel Filter
- Stainless Steel Food Disposer
- NSF® Certified Sanitize Rinse Option
- Energy-Saving 1/2 Load Wash Option (Upper)
- Variable (1-10 Hour) Delay Start
- High-Temp Wash Option
- Pearl Grey Nylon-Coated TufRacks™
- 4 Folding Cup Shelf/Stemware Holders
- 3-Piece Silverware Basket with 2 Small Item Lids
- Versatile, Folding Bowl Tines
- 2 Rows of Folding Lower Rack Tines
- Utility Tray
- UltraQuiet™ IV Sound Insulation Package



NSF Protocol for Sanitization and
Cleaning Performance of Residential
Spray-Type Dishwashers (1997)

CHOOSE FOR THE
BETTER WITH
ENERGY STAR



Stain-Resistant
GraniteGrey™ Interior



Also Available:

GLD2440RE S/Q/B/C

- Same features as GLD2445RF C except has white interior
- Available in Color-Coordinated Black, White, Bisque or Stainless Steel

Frigidaire



Gallery Series® GLD2250RD S/Q/B

- 9 Easy-Clean Touch Pads
- 5-Level Precision Direct Wash System®
- Active Vent Drying System
- Precision Direct™ Wash System
- 100% Filtered Wash Water, No Pre-Rinse Required
- Self-Cleaning, Stainless Steel Filter
- Stainless Steel Food Disposer
- NSF® Certified Sanitize Rinse Option
- Energy-Saving 1/2 Load Wash Option (Upper)
- Variable (2-4-6 Hour) Delay Start
- High-Temp Wash Option
- Pearl Grey Nylon-Coated TufRacks™
- 2 Folding Cup Shelf/Stemware Holders
- 3-Piece Silverware Basket with 2 Small Item Lids
- Versatile, Folding Bowl Tines
- 2 Rows of Folding Lower Rack Tines
- Utility Tray
- UltraQuiet™ III Sound Insulation Package
- Color-Coordinated Black, White, and Bisque



**BIG Tub™ Design
Holds 14 Place Settings!**



Also Available:

GLD2250RD C

- Same features as GLD2250RD S/Q/B
- Available in EasyCare™
Genuine Stainless Steel



BIG Tub™ Design
Holds 14 Place Settings!

Frigidaire® FDB2000RF C

- 9 Easy-Clean Touch Pads
- 5-Level Precision Direct™ Wash System
- Active Vent Drying System
- 100% Filtered Wash Water, No Pre-Rinse Required
- Self-Cleaning Filter
- Stainless Steel Food Disposer
- NSF® Certified Sanitize Rinse Option
- Energy-Saving 1/2 Load Wash Option (Upper)
- Variable (2-4-6 Hour) Delay Start
- High-Temp Wash Option
- Deluxe Upper and Lower Racks
- 2 Folding Cup Shelf/Stemware Holders
- Ultra I Silverware Basket with 2 Small Item Lids
- UltraQuiet™ III Sound Insulation Package



NSF Protocol for Sanitization and Cleaning Performance of Household Single-Stage Dishwasher (C187)

CHANGE FOR THE BETTER WITH ENERGY STAR



Also Available:

FDB2000RF S/Q/B

- Same features as FDB2000RF C
- Available in Color-Coordinated Black, White, and Bisque

Frigidaire



BIG Tub™ Design
Holds 14 Place Settings!

Frigidaire® FDB1050RE C

- 4 Easy-Clean SmoothTouch™ Pads
- Precision Select™ Electronic Controls
- 5-Level Precision Wash System®
- Self-Cleaning Filter
- 100% Filtered Wash Water, No Pre-Rinse Required
- UltraQuiet™ II Sound Insulation Package
- Stainless Steel Food Disposer
- Energy-Saving 1/2 Load Wash Option (Upper)
- Variable (2-4 Hour) Delay Start
- High-Temp Wash Option
- Deluxe Upper and Lower Racks
- Ultra I Silverware Basket
- Stainless Steel Finish



Also Available:

FDB1050RE S/Q/B/M

- Same features as FDB1050RE C
- Available in Silver Mist and Color-Coordinated Black, White, and Bisque



Frigidaire® FDB510LC S/B

- Precision Wash System®
- 4-Level Wash
- Self-Cleaning Filter
- 100% Filtered Wash Water, No Pre-Rinse Required
- 4 Easy-Clean Pads
- UltraQuiet™ Sound Insulation Package
- Stainless Steel Food Disposer
- Standard Racks
- High-Temp Wash Option
- Variable (1-3 Hour) Delay Start
- Standard Silverware Basket
- Color-Coordinated Black and White



Frigidaire® FDB130RB S/Q/B

- 2-Level Tower Wash System
- Self-Cleaning Filter
- 100% Filtered Wash Water
- UltraQuiet™ Sound Insulation Package
- Stainless Steel Food Disposer
- Standard Racks
- Standard Silverware Basket
- Color-Coordinated Black, White, and Bisque

Frigidaire



Frigidaire® FDP750RC S

- Precision Wash System®
- 5-Level Wash
- Self-Cleaning Filter
- 100% Filtered Wash Water, No Pre-Rinse Required
- 6 Easy-Clean Pads
- UltraQuiet™ III Sound Insulation Package
- Stainless Steel Food Disposer
- Deluxe Racks
- High-Temp Wash Option
- Variable (1-6 Hour) Delay Start
- Ultra I Silverware Basket
- Portable Design
- Modern White Styling with Grey Laminate Work Surface



Frigidaire® FDR252RB S/B

- Space-Saving 18" Wide Design
- 2-Level Tower Wash System
- Self-Cleaning Filter
- QuietSound Insulation Package
- Stainless Steel Food Disposer
- High-Temp Wash Option
- Deluxe Racks
- Folding Cupshelf
- Standard Silverware Basket
- Color-Coordinated Black and White
- Stainless Steel Door Kit - 154436001

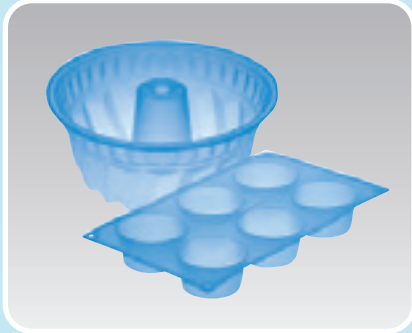


Also Available:

FDS252RB S

- Same features as FDR252RB S/B
- Available in Portable Design

Accessories



Muffin/Bundt Bundle

Dishwasher safe, silicone bakeware produces beautifully formed bake goods in 30% less time.

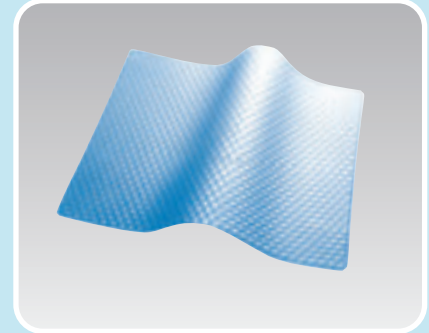
SILMUF6B



Loaf Pan, Bundt Pan

Dishwasher safe, silicone bakeware withstands temperatures ranging from -40°F to 528°F.

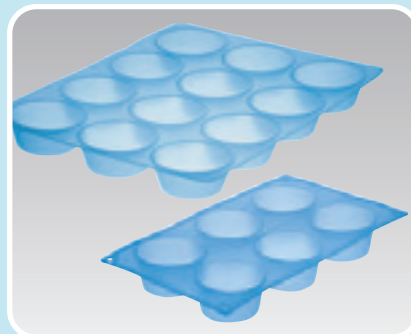
SILLOAF
SILBUNDT1



Cookie Sheet

Dishwasher safe, silicone bakeware easily goes from microwave to freezer and has a lifespan of over 3000 baking cycles.

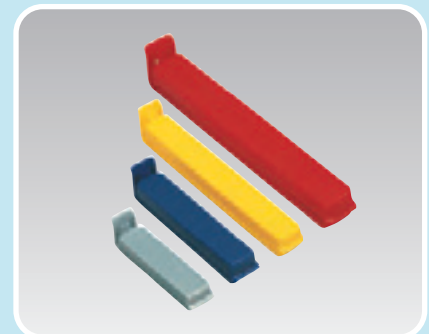
SILSHEET



12-Cup Muffin Pan, 6-Cup Muffin Pan

Whether you're baking for guests or just the family, the nonstick surface of these dishwasher safe, silicone muffin pans makes cleanup a snap.

SILMUF12
SILMUF6



Twixit! Clips

Keep bags sealed and food fresher longer. These dishwasher safe clips are guaranteed for life.

5304433208



Dishwasher Installation Kit and Power Cord

Includes everything needed to hook up an under-counter dishwasher to both water and electric supplies. Instructions are included.

5305517519



6' Stainless Steel Hose and Adapter Kit

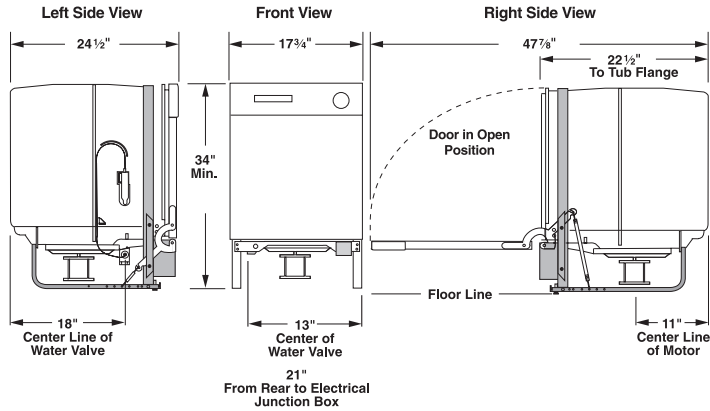
Includes everything needed to hook up an under-counter dishwasher to the water supply. Instructions are included.

5305516519

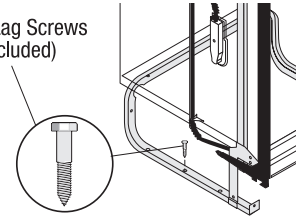
INSTALLATION

The dimension and cutout information is for planning purposes only. Consult installation instructions packed with individual product for complete details.

18" Dishwashers



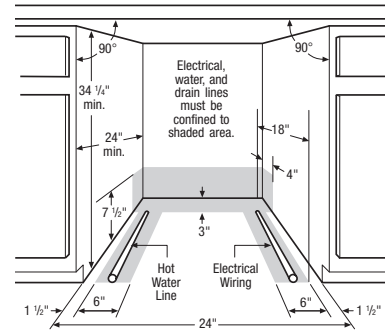
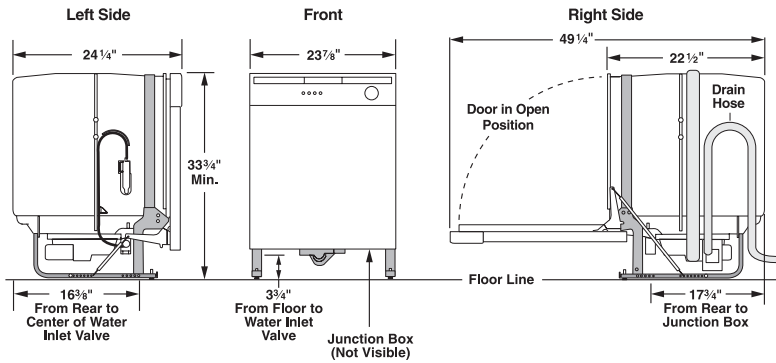
use 1/4" Lag Screws (not included)



Floor Anchoring

When a new layer of flooring is applied, reduced installation height can occur. To reduce a Frigidaire dishwasher to a 33-1/2" installation height, remove the countertop anchoring clips from the dishwasher frame and mount to the floor with 1/4" lag screws (not included) through the holes provided in the dishwasher frame. Use expansion fasteners if floor is concrete (see illustration).

24" Dishwashers



DISHWASHERS

Models	PLD4555RF	PLD4375RF	PLD2855RF	PLD2850RD
Series	Professional	Professional	Professional	Professional
ENERGY STAR*				
Features				
Size / Type	24" Built-In	24" Built-In	24" Built-In	24" Built-In
Stainless Steel Interior				
GraniteGrey™ Interior	•	•	•	•
BIG Tub™ Design	•	•	•	•
Pro-Style Towel Bar	•	•	•	•
Control Type	Electronic	Electronic	Electronic	Electronic
Console Type	Fully-Integrated	Fully-Integrated	Upswept	Upswept
Easy-Clean Pads / Pushbuttons	12 Electronic	12 Electronic	12 Electronic	12 Electronic
Digital Display	Intelligent	Intelligent	•	•
Precision Direct™ Wash System	AquaSurge™ Technology	AquaSurge™ Technology	Direct	Direct
Smart Soil Sensor™	•	•	•	•
Self-Cleaning Filter	Stainless Steel	Stainless Steel	Stainless Steel	Stainless Steel
Removable Filter Trap	•	•	•	•
Stainless Steel Food Disposer	•	•	•	•
Sound Insulation Package	SilentDesign™	UltraQuiet™ Plus	UltraQuiet™ Plus	UltraQuiet™ Plus
Wash Levels	5	5	5	5
Dry System	Enhanced Active	Enhanced Active	Active Vent	Active Vent
Detergent Dispenser	•	•	•	•
Adj. Rinse-Aid Dispenser with Indicator	•	•	•	•
Rinse-Aid Reservoir Empty Signal	•	•	•	•
Child Lock	•	•	•	•
Cycles				
Heavy				
Ultimate Scrub	•	•		
Pots & Pans			•	•
SpeedClean™	•	•		
Normal	•	•	•	•
Quick				
Short/Light			•	•
Eco Wash	•			
1/2 Load Upper Rack	Glasses	•	•	•
1/2 Load Lower Rack			•	•
China / Crystal	•	•	•	•
Glasses	•			
Rinse Only	•	•	•	•
Favorite				
Options				
Variable Wash Pressure	•	•		
iDry™ Intelligent SaharaDry™ System	•			
Heat / No Heat Dry	•	•	•	•
Hi-Temp Wash	•	•	•	•
NSF® Certified Sanitize Rinse	•	•	•	•
Delay Start	1-24 Hours	1-24 Hours	1-24 Hours	1-24 Hours
Rack System				
Upper Rack	Maximum	Premium	Premium	Premium
Cup Shelf	2	4	4	4
Cup Clips	2			
Stemware Holder	•	•	•	•
Adjustable Height	•	•	•	•
Versa-Tray™	•			
Folding Bowl Tines	•	•	•	•
Rack Handle	•	•	•	•
Lower Rack	Maximum	Premium	Premium	Premium
Fold-Down Tines	•	•	2 Rows	2 Rows
Rack Type	Nylon TufRack™	Nylon TufRack™	Nylon TufRack™	Nylon TufRack™
Highside Shelf	•			
Utility Tray	•	•	•	•
Silverware Basket	3-Piece Split	3-Piece Split	3-Piece Split	3-Piece Split
Small Items Cover	3	3	3	3
Color / UPC (0-12505-)				
Black (B)				10885-3
White (S)				10884-6
Stainless (C)	10962-1	10961-4	10976-8	10783-2
Specifications				
Leveling Legs	•	•	•	•
Water Usage, Gals. (Normal Cycle)	4.9-8.5	4.9-8.5	4.9-8.5	4.9-8.5
Water Pressure (PSI)	20-120	20-120	20-120	20-120
Volts	120	120	120	120
AMPS*	0.0	0.0	10	10
Watts (Heating Element)	900	900	900	900
Color**	C	C	C	C
Shipping Weight (Approx.)	83 Lbs.	83 Lbs.	78 Lbs.	78 Lbs.

* Separate 15-amp 3-wire grounded circuit required
 ** B=Black-on-Black
 S=White-on-White
 Q=Bisque-on-Bisque
 C=Stainless Steel with Black or Stainless Accents



DISHWASHERS

Models	GLD4355RF	GLD2445RF	GLD2440RE	GLD2250RD
Series	Gallery	Gallery	Gallery	Gallery
ENERGY STAR®				
Features				
Size / Type	24" Built-In	24" Built-In	24" Built-In	24" Built-In
GraniteGrey™ Interior
BIG Tub™ Design
Pro-Style Towel Bar
Control Type	Electronic	Electronic	Electronic	Electronic
Console Type	Fully-Integrated	Upswept	Upswept	Upswept
Easy-Clean Pads / Pushbuttons	12 Electronic	10 Electronic	10 Electronic	9 Electronic
Digital Display
Precision Direct™ Wash System	AquaSurge™ Technology	Direct	Direct	Direct
Smart Soil Sensor™
Self-Cleaning Filter	Stainless Steel	Stainless Steel	Stainless Steel	Stainless Steel
Removable Filter Trap
Stainless Steel Food Disposer
Sound Insulation Package	UltraQuiet™ Plus	UltraQuiet™ IV	UltraQuiet™ IV	UltraQuiet™ III
Wash Levels	5	5	5	5
Dry System	Enhanced Active	Active Vent	Active Vent	Active Vent
Detergent Dispenser
Adj. Rinse-Aid Dispenser with Indicator
Rinse-Aid Reservoir Empty Signal
Child Lock
Cycles				
Ultimate Scrub
Pots & Pans
SpeedClean™
Normal
Short/Light
1/2 Load Upper Rack
1/2 Load Lower Rack
China / Crystal
Rinse Only
Options				
Heat / No Heat Dry
Hi-Temp Wash
NSF® Certified Sanitize Rinse
Delay Start	1-24 Hours	1-10 Hours	1-10 Hours	2-4-6 Hours
Rack System				
Upper Rack	Premium	Premium	Premium	Premium
Cup Shelf	4	4	4	2
Stemware Holder
Versa-Tray™
Adjustable Height
Folding Bowl Tines
Rack Handle
Lower Rack	Premium	Premium	Premium	Premium
Fold-Down Tines	2 Rows	2 Rows	2 Rows	2 Rows
Rack Type	Nylon TuffRack™	Nylon TuffRack™	Nylon TuffRack™	Nylon TuffRack™
Utility Tray
Silverware Basket	3-Piece Split	3-Piece Split	3-Piece Split	3-Piece Split
Small Items Cover	3	2	2	2
Color / UPC (0-12505-)				
Black (B)	10960-7	10978-2	10930-0	10765-8
White (S)	10959-1	10977-5	10931-7	10801-3
Bisque (Q)		10979-9	10932-4	10851-8
Stainless/Black (C)		10980-5	10933-1	10800-6
Specifications				
Leveling Legs
Water Usage, Gals. (Normal Cycle)	4.9-8.5	4.9-8.5	4.9-8.5	7.2
Water Pressure (PSI)	20-120	20-120	20-120	20-120
Volts	120	120	120	120
AMPS*	10	10	10	10
Watts (Heating Element)	900	900	900	900
Color**	B, S	B, S, Q, C	B, S, Q, C	B, S, Q, C
Shipping Weight (Approx.)	83 Lbs.	76 Lbs.	75 Lbs.	72 Lbs.

* Separate 15-amp 3-wire grounded circuit required

** B=Black-on-Black

S=White-on-White

Q=Bisque-on-Bisque

C=Stainless Steel with Black or Stainless Accents



Models	FDB2000RF	FDB1050RE	FDP750RC	FDB510LC	FDB130RB	FDR252RB	FDS252RB
Series	Frigitaire	Frigitaire	Frigitaire	Frigitaire	Frigitaire	Frigitaire	Frigitaire
ENERGY STAR*							
Features							
Size/Type	24" Built-In	24" Built-In	24" Portable	24" Built-In	24" Built-In	18" Built-In	18" Portable
BIG Tub™ Design	•	•	•	•	•	•	•
Control Type	Electronic	Electronic	Mechanical	Mechanical	Mechanical	Mechanical	Mechanical
Console Type	Upswept	Precision Select™	Standard	Standard	Standard	Standard	Standard
Easy-Clean Pads/Pushbuttons	9 Electronic	4 Pads	6 Pads	4 Pads	4 Pads	5 PB	5 PB
Precision Wash System*	•	•	•	•	•	Tower	Tower
Precision Direct™ Wash System	Direct	•	•	•	•	•	•
Self-Cleaning Filter	Poly	Poly	Poly	Poly	Poly	Poly	Poly
Removable Filter Trap	•	•	•	•	•	•	•
Stainless Steel Food Disposer	•	•	•	•	•	•	•
Sound Insulation Package	UltraQuiet™ III	UltraQuiet™ II	UltraQuiet™ III	UltraQuiet™	UltraQuiet™	QuietSound™	QuietSound™
Wash Levels	5	5	5	4	2	2	2
Dry System	Active Vent	Static Vent	Static Vent	Static Vent	Static Vent	Static Vent	Static Vent
Detergent Dispenser	•	•	•	•	•	•	•
Adj. Rinse-Aid Dispenser with Indicator	•	•	•	•	•	•	•
Child Lock	•	•	•	•	•	•	•
Cycles							
Pots & Pans	•	•	•	•	•	•	•
Heavy	•	•	•	•	•	•	•
Normal	•	•	•	•	•	•	•
Short/Light	•	•	•	•	•	•	•
Econo Wash	•	•	•	•	•	•	•
1/2 Load Upper Rack	•	•	•	•	•	•	•
China/Crystal Glasses	•	•	•	•	•	•	•
Plate Warmer	•	•	•	•	•	•	•
Rinse Only	•	•	•	•	•	•	•
Options							
Heat/No Heat Dry	•	•	•	•	•	•	•
Hi-Temp Wash	•	•	•	•	•	•	•
NSF® Certified Sanitize Rinse	•	•	•	•	•	•	•
Delay Start	2-4-6 Hours	2-4 Hours	1-6 Hours	1-3 Hours			
Rack System							
Upper Rack	Deluxe	Deluxe	Deluxe	Standard	Standard	Deluxe	Deluxe
Cup Shelf	2	•	•	•	•	•	•
Stemware Holder	•	•	•	•	•	•	•
Lower Rack	Deluxe	Deluxe	Deluxe	Standard	Standard	Deluxe	Deluxe
Rack Type	PVC	PVC	PVC	PVC	PVC	PVC	PVC
Silverware Basket	Ultra 1	Ultra 1	Ultra 1	Standard	Standard	Standard	Standard
Small Items Cover	2	•	•	•	•	•	•
Color/UPC (0-12505-)							
Black (B)	10952-2	10859-4	•	10700-9	10644-6	10626-2	•
White (S)	10951-5	10858-7	10686-6	10701-6	10645-3	10627-9	10628-6
Bisque (Q)	10953-9	10860-0	•	•	10646-0	•	•
Stainless/Black (C)	10954-6	10861-7	•	•	•	•	•
Silver Mist (M)	•	10865-5	•	•	•	•	•
Specifications							
Leveling Legs	•	•	4 Casters	•	•	•	4 Casters
Water Usage, Gals. (Normal Cycle)	7.2	6.0	6.0	6.0	7.2	6.7	6.7
Water Pressure (PSI)	20-120	20-120	20-120	20-120	20-120	20-120	20-120
Volts	120	120	120	120	120	120	120
AMPS*	10	10	10	10	10	8.5	8.5
Watts (Heating Element)	900	900	900	900	900	600	600
Color**	B, S, Q, C	B, S, Q, C, M	S	B, S	B, S, Q	B, S	S
Shipping Weight (Approx.)	69 Lbs.	64 Lbs.	163 Lbs.	67 Lbs.	63 Lbs.	61 Lbs.	139 Lbs.

* Separate 15-amp 3-wire grounded circuit required

** B=Black-on-Black
S=White-on-White
Q=Bisque-on-Bisque
C=Stainless Steel with Black or Stainless Accents
M=Silver Mist



DIMENSIONS

Exterior Dimensions	Width	Height	Depth	Depth w/Door	w/Door 90° Open
24" Built-In	23-7/8"	33-3/4" Min./34-3/4" Max.	23"	25"	49-3/4"
18" Built-In	17-3/4"	34" Min./34-7/8" Max.	22-1/2"	24-1/2"	47-7/8"
Portable Dimensions	Width	Height	Depth		
24"	25"	36"	27"		
18"	19"	36"	27"		
Cutout Dimensions	Width	Height	Depth		
24" Built-In	24" Min.	34-1/4" Min./35-1/4" Max.	24" Min.		
18" Built-In	18"	34-1/4" Min./34-1/2" Max.	24"		
* Cutout Dimensions are for standard under-counter installation.					
Carton Dimensions	Width	Height	Depth		
24" Built-In	26"	35"	27-1/2"		
18" Built-In	20"	35"	27-1/2"		
24" Portable	27"	38"	29-1/4"		
18" Portable	21"	38"	29-1/4"		

OPTIONAL ACCESSORY KITS

Wood Panel Kits	White	Black	Bisque
Wood Panels-Standard	154362701	154362703	154362704
Wood Panels-Upswept	154488401	154488403	154488404
Wood Panels-18"	154289301		
Additional Items			
Heavy-Duty Door Spring Kit	154289301		
24" Models (for door panels greater than 1/4" or 4 Lbs., but less than 10 Lbs.)			
Stainless Steel Door Kit	154436001		
18" (FDR252)			
Portable to Built-In Conversion Kit - 24"	154477101		
Portable to Built-In Conversion Kit - 18"	154400101		

Additional accessories and replacement parts are available at frigitaire.com.



LIMITED ONE-YEAR WARRANTY

This warranty does not cover the following:

- Products with original serial numbers that have been removed, altered or cannot be readily determined.
- Product that has been transferred from its original owner to another party or removed outside the USA or Canada.
- Rust on the interior or exterior of the unit.
- Products purchased "as-is" are not covered by this warranty.
- Food loss due to any refrigerator or freezer failures.
- Products used in a commercial setting.
- Service calls which do not involve malfunction or defects in materials or workmanship, or for appliances not in ordinary household use or used other than in accordance with the provided instructions.
- Service calls to correct the installation of your appliance or to instruct you how to use your appliance.
- Expenses for making the appliance accessible for servicing, such as removal of trim, cupboards, shelves, etc., which are not a part of the appliance when it is shipped from the factory.
- Service calls to repair or replace appliance light bulbs, air filters, water filters, other consumables, or knobs, handles, or other cosmetic parts.
- Surcharges including, but not limited to, any after hour, weekend, or holiday service calls, tolls, ferry trip charges, or mileage expense for service calls to remote areas, including the state of Alaska.
- Damages to the finish of appliance or home incurred during installation, including but not limited to floors, cabinets, walls, etc.
- Damages caused by: services performed by unauthorized service companies; use of parts other than genuine Electrolux parts or parts obtained from persons other than authorized service companies; or external causes such as abuse, misuse, inadequate power supply, accidents, fires, or acts of God.

DISCLAIMER OF IMPLIED WARRANTIES; LIMITATION OF REMEDIES

Customer's sole and exclusive remedy under this limited warranty shall be product repair or replacement as provided herein. Claims based on implied warranties, including warranties of merchantability or fitness for a particular purpose, are limited to one year or the shortest period allowed by law, but not less than one year. Electrolux shall not be liable for consequential or incidental damages such as property damage and incidental expenses resulting from any breach of this written limited warranty or any implied warranty. Some states and provinces do not allow the exclusion or limitation of incidental or consequential damages, or limitations on the duration of implied warranties, so these limitations or exclusions may not apply to you. This written warranty gives you specific legal rights. You may also have other rights that vary from state to state.

IF YOU NEED SERVICE

Keep your receipt, delivery slip, or some other appropriate payment record to establish the warranty period should service be required. If service is performed, it is in your best interest to obtain and keep all receipts. Service under this warranty must be obtained by contacting Electrolux at the addresses or phone numbers below. Your appliance is covered by a one year limited warranty. For one year from your original date of purchase, Electrolux will pay all costs for repairing or replacing any parts of this appliance that prove to be defective in materials or workmanship when such appliance is installed, used, and maintained in accordance with the provided instructions. This warranty only applies in the USA and Canada. In the USA, your appliance is warranted by Electrolux Major Appliances North America, a division of Electrolux Home Products, Inc. In Canada, your appliance is warranted by Electrolux Canada Corp. Electrolux authorizes no person to change or add to any obligations under this warranty. Obligations for service and parts under this warranty must be performed by Electrolux or an authorized service company. Product features or specifications as described or illustrated are subject to change without notice.

USA

Electrolux Major Appliances, North America

250 Bobby Jones Expressway
Martinez, GA 30907
1-800-FRIGIDAIRE
frigidaire.com

CANADA

Electrolux Canada Corporation

5855 Terry Fox Way
Mississauga, ON L5V 3E4
1-800-668-4606



Every Frigidaire® appliance is backed by the global strength of the Electrolux Group, the world's largest manufacturer of kitchen and cleaning appliances.